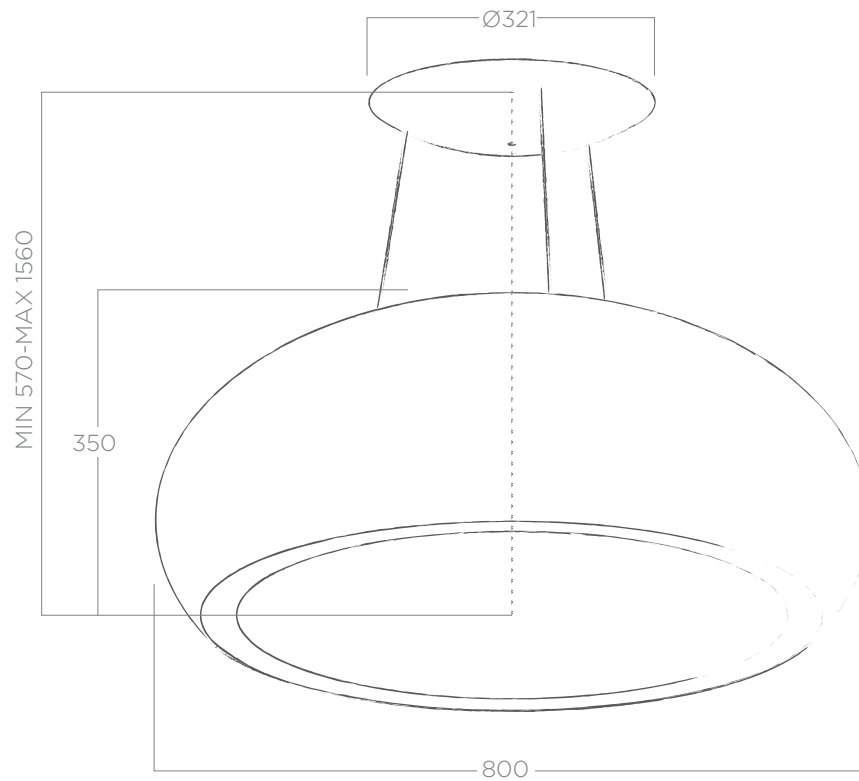




SEASHELL

DESIGN FABRIZIO CRISÀ



LIGHTING



SILENCE



LONG LIFE FILTER



CM 60



CM 70

TECHNICAL FEATURES INFORMATIONS TECHNIQUES

Size Dimensions	80 cm
Version Version	Filtering Recyclage
Finish Finition	Pearl, matt white, matt black, shiny stainless steel Parelwit, mat wit, mat zwart, glanzend RVS

LIGHTING ECLAIRAGE

Type Type	NEON 4 x 24 W
Intensity Intensité	1300 LUX
Temperature Température	6500 K

PERFORMANCE PERFORMANCE

Controls Commandes	3S+B Remote Control Radiocommande 3V+I
Min-max airflow Aspiration min-max	250 - 800 m ³ /h
Min-Max noise level Niveau sonore min-max	55 - 67 db(A)
Total absorption Absorption totale	346 W

Grease aluminium Filter included Filtre à graisse en aluminium inclus
Long Life filter included Filtre longue durée inclus

ACCESSORIES ACCESSOIRES

Long Life Filter Filtre longue durée	CFC0141725
Extension cable kit (2,5m) Kit rallonge câbles (2,5m)	KIT0067590
White remote control Radiocommande blanc	KIT0121468
Black remote control Radiocommande noir	KIT0121469



Kit remote control included. See page 223 for available design.
Radiocommande inclus. Voir en page 223.



Model not subject to compulsory energy certification.
Modèle recyclage non assujetti à une certification énergétique obligatoire.

MODELS MODELES

SEASHELL IX/F/80	PRF0098394
SEASHELL WH/F/80	PRF0024262A
SEASHELL WH MAT/F/80	PRF0098392
SEASHELL BL/F/80	PRF0098393

SUSPENDED