

**Serie | 2, Gas range cooker, Stainless steel
HGV1D0V50M**



Included accessories

1 x enamel baking tray
1 x nozzle set for natural gas
1 x grid

The gas Range Cooker with gas hob: enjoy the benefits of gas when cooking and baking.

- Closed Door Grilling retains heat and odors within the cooker and reduces your cooking time.
- Full Glass Door supports quick and easy cleaning by removable inner glass of the door.
- Full Safety automatically cuts off the supply of gas to your burner and oven at the same time, if the flame is extinguished for any reason.
- **The stainless-steel gas cooktop:** its high quality and premium design lets you enjoy cooking longer.
- Low profile stainless steel cooking surface is easily accessible and quick to clean.

Technical Data

| | |
|---|---|
| Built-in / Free-standing : | Free-standing |
| Dimensions : | 884-929 x 899 x 607 |
| Length electrical supply cord (cm) : | 120 |
| Net weight (kg) : | 74.272 |
| Gross weight (kg) : | 79.9 |
| Cooking method : | Circulated gas bottom heat, defrost, Gas bottom heating, Gas grill/broiler, Gas top/bottom heat |
| Integrated Cleaning system : | No |
| Included accessories : | 1 x enamel baking tray, 1 x nozzle set for natural gas, 1 x grid |
| Broil Element Wattages cavity 1 (W) : | 3100 |
| Connection Rating (W) : | 47 |
| Fuse protection (A) : | 16 |
| Voltage (V) : | 220-240 |
| Frequency (Hz) : | 50; 60 |
| Plug type : | GB plug |
| Energy input : | Gas |
| Gas type : | LPG G30 30 mbar |
| Appliance Dimensions (h x w x d) (in) : | x 899 MM x |
| Gross weight (lbs) : | 176.000 |
| Length electrical supply cord (cm) : | 120 |
| Dimensions : | 884-929 x 899 x 607 |
| Dimensions of the packed product (HxWxD) (mm) : | 880 x 700 x 970 |



Serie | 2, Gas range cooker, Stainless steel HGV1D0V50M

The gas Range Cooker with gas hob: enjoy the benefits of gas when cooking and baking.

Cooktop:

- Gas hob
- 1 rapid, 2 standard, 1 economy, 1 wok burner
- Front left: Rapid burner 3 KW
- Rear left: Standard burner 1.75 KW
- Center: WOK burner 4 KW
- Rear right: Standard burner 1.75 KW
- Front right: Economy burner 1 KW
- One-hand ignition via control knob
- Full flame safety
- Cast iron pan supports
- glass cover lid

Type of oven / heating system:

- Gas oven
- 5 cooking functions: Gas bottom heat, Defrost setting, Gas top/bottom heat, Gas grill

Design:

- Extra large net capacity oven (125 l)

Cleaning:

- Full glass inner door

Comfort:

- Halogen interior lighting
- Minute minder

Accessory:

- 1 x enamel baking tray, 1 x grid, 1 x nozzle set for natural gas

Technical Info:

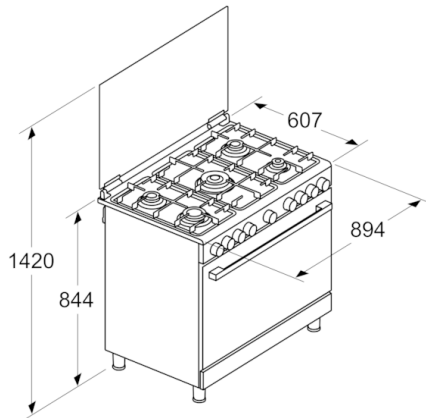
- Natural gas nozzles (20 mbar) included

Dimensions:

- Appliance dimension (hxwxd): 884 mm x 899 mm x 607 mm
- Adjustable feet

Serie | 2, Gas range cooker, Stainless steel HGV1D0V50M

measurements in mm



measurements in mm

